



INDIAN SCHOOL NIZWA - WORKSHEET

MATHEMATICS

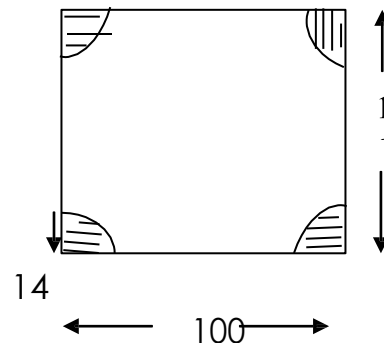
CH: 11 : PERIMETER AND AREA

Name: _____

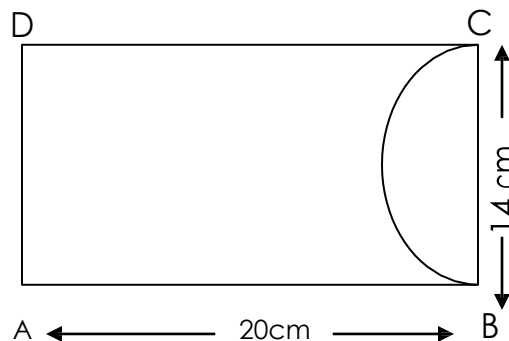
Date: _____

Class: VII Sec: ____

- Q.1. A rectangular grassy lawn measuring 40 m by 25 m is to be surrounded externally by a path which is 2 m wide. Calculate the cost of leveling the path at the rate of Rs. 8.25 per square metre.
- Q.2. A path 2 m wide is built along the border inside a square garden of side 10 m. Find –
- The area of the path.
 - The cost of planting the grass in the remaining portion of the garden at the rate of Rs. 10 per m^2 .
- Q.3. A square park has each side of 100 m. At each corner of the park, there is a flower bed in the form of a quadrant of radius 14 m as shown in figure. Find the area of the remaining part of the park. (take $\pi = \frac{22}{7}$)



- Q.4. A paper is in the form of a rectangle ABCD in which AB = 20 cm and BC = 14 cm. A semicircular portion with BC as diameter is cutoff. Find the area of the remaining part.





INDIAN SCHOOL NIZWA - WORKSHEET

Q.5. Fill in the blanks: -

(i) The magnitude of a plane region is called its _____.

(ii) The perimeter of a circle is called its _____.

(iii) Area of a parallelogram = Base \times _____

(iv) Area of a _____ = $\frac{1}{2} \times$ base \times height.

(v) Circumference of a circle = _____

(vi) Area of a _____ = πr^2

(vii) _____ of a parallelogram = $\frac{\text{Area}}{\text{Height}}$

(viii) Height of a parallelogram = _____

(ix) Base of a triangle = $\frac{2 \times \text{Area}}{\text{Altitude}}$

(x) Height of a triangle = $\frac{2 \times \text{Area}}{\text{Base}}$

(xi) The value of π is _____ or _____. (Correct to two decimal places)

Q.6. Find the altitude of a parallelogram one of whose side is 6.5 cm, the area being 26 cm².

Q.7. Find the height of a triangle whose base is 80 cm and area is 0.08 m².

Q.8. Find the diameter of a circle whose circumference is 12.56 cm.

Q.9. A crater falls near a village creating a circular pit of diameter 200m. Find the affected area of land.

Q.10. Which has greater area, a square of perimeter 88cm or a circle with circumference 88cm?

